

**Description**

TA6586 is a monolithic IC designed for driving bi-directional DC motor. It has two pins of logic inputs for controlling the direction, forward and backward. The circuit feature good anti-interference performance, small standby current and low output saturation pressure drop. It has a built-in clamp diode to reverse the impact of the release of inductive load current, making it in the drive relays, DC motors, stepper motors or control the use of switching power safe and reliable. TA6586 is suitable for toy vehicles, remote-controlled aircraft motor drive, automatic valve motor, electromagnetic lock drive, precision instruments and other circuits.

Features

- Low stand-by current: $\leq 2\mu\text{A}$
- Wide supply voltage range 3.0V~14V
- Built-in Brake Function
- Thermal Shutdown protection
- Over Current Limit and Short Circuit Protect Function
- DIP8 Pb-Free package.

Pin Function

Pin NO	Name	Function
1	BI	Backward input
2	FI	Forward input
3	GND	Ground
4	Vcc	Vcc
5, 6	FO	Forward output
7, 8	BO	Backward output

Input Truth Table

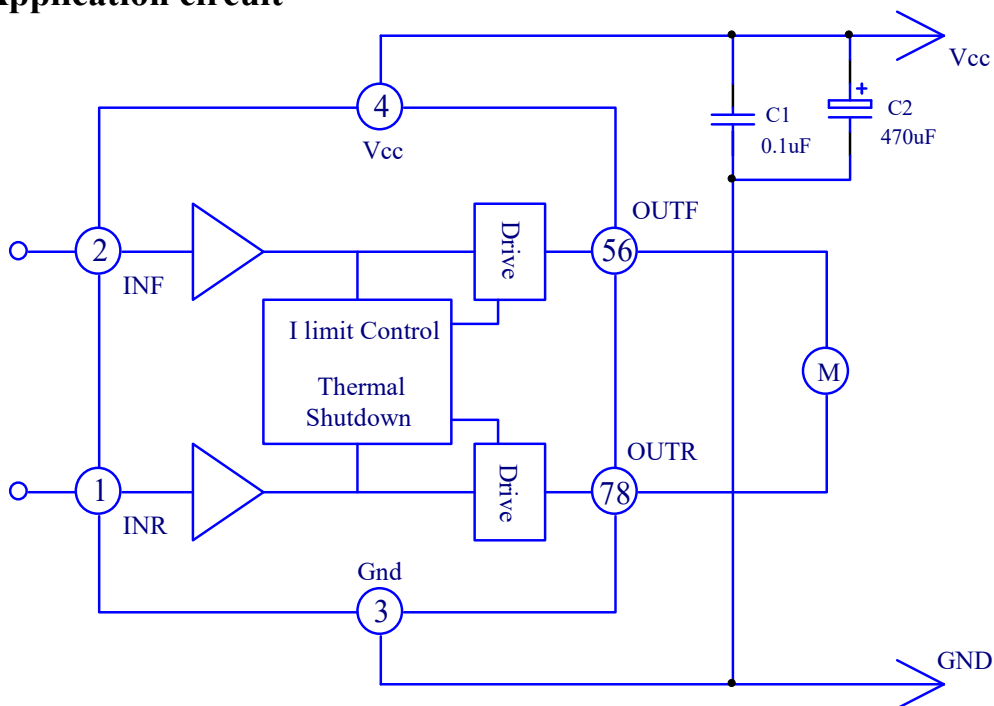
2pin Finput	1pin Binput	5,6pin Foutput	7,8pin Boutput
H	L	H	L
L	H	L	H
H	H	L	L
L	L	Open	Open

Absolute Maximum Rating

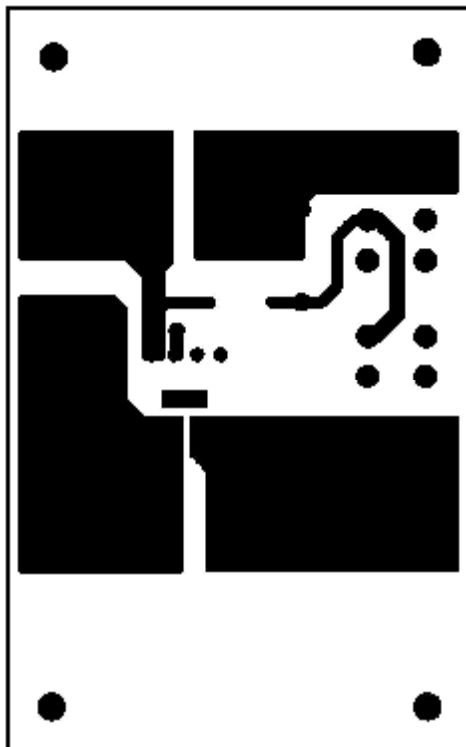
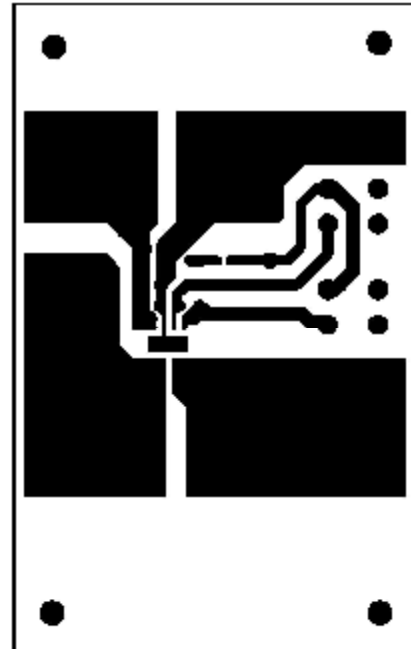
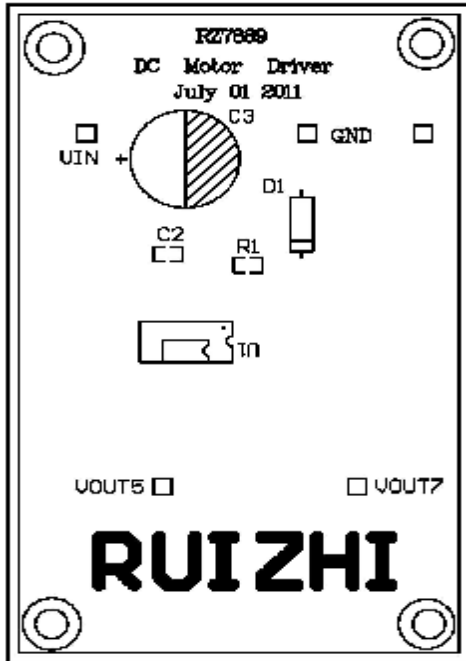
Parameter	Symbol	Rating	Unit
Maximum supply voltage	Vcc	15	V
Output current	Iout	9	A
Operating Temperature	Top	-25~+85	°C
Storage temperature	Tstg	-55~+150	°C

**Electrical Characteristics (Vcc=6V, Ta=25°C , unless otherwise specified)**

Parameter	Symbol	Condition	Min	Typ	Max	Unit
Operating Voltage	V _{OPR}		3.0	--	14	V
Stand-by Current	I _S	V _{CC} = 9V V _i = 0			2	uA
No-load Operating Current	I _{CC}	V _{CC} = 6V V _i = 3V Open load	2	4	7	mA
High Output Voltage	V _{HOUT}	V _{CC} = 6V I _o = 3A	5.5	5.7	5.9	V
Low Output Voltage	V _{LOUT}	V _{CC} = 6V I _o = 3A	0.05	0.12	0.3	V
High Input Voltage	V _{iH}		2.2	3.5	6	V
Low Input Voltage	V _{iL}			0.5	0.7	V
Input Current (2V)	I _i	V _{CC} = 6V V _i = 2V		70	100	uA
Input Current (3V)	I _i	V _{CC} = 6V V _i = 3V		100	150	uA
Continuous Output current	I _{out}	Around of the no.5,6,7,8 pins needs copper to auxiliary heat dissipation		5	7	A
Thermal shutdown temperature	T _{otp}			130		°C

Application circuit

Test PCB Board



Package Type DIP8

