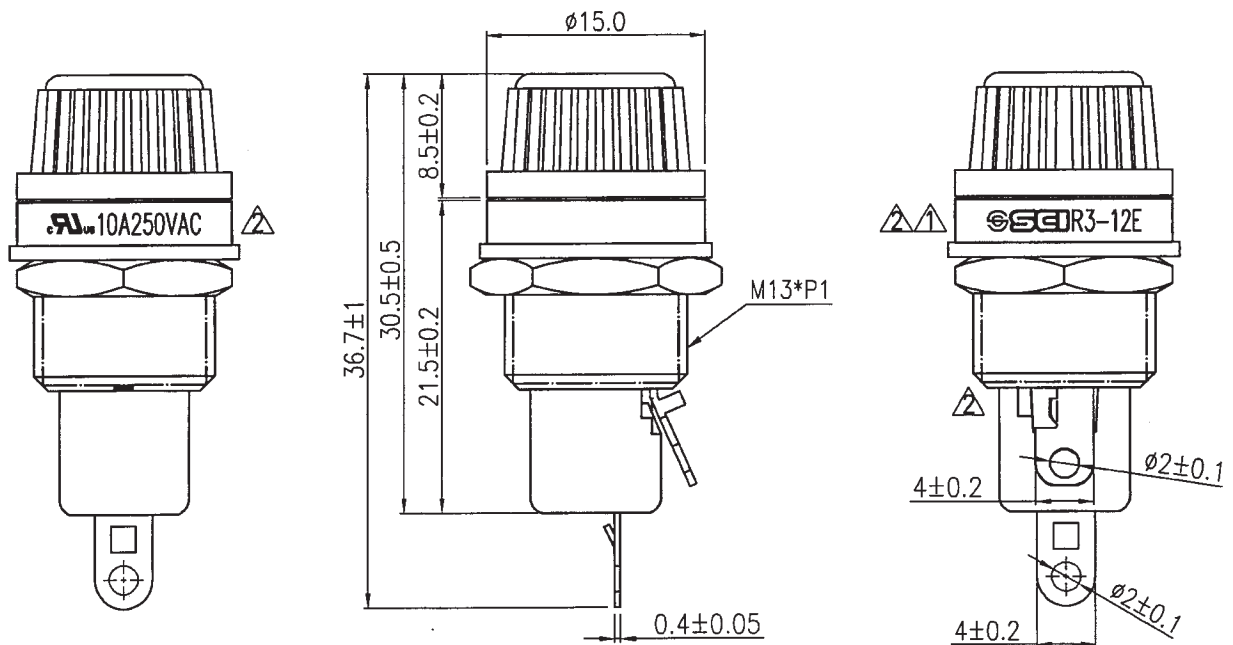
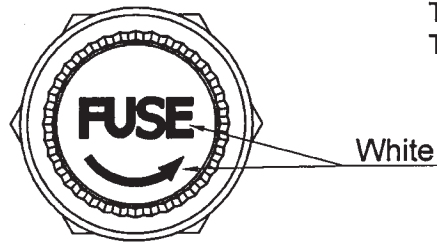


Rating	10A 250V AC		
Insulation Resistance	DC 500V 100M ohm Min		
Dielectric Strength	AC 1000V 1 minute		
Fuse Size	ø5.0*20mm		

Material:  
Housing: Black, PF  
Top cap: Black, PF  
Terminals: Nickel Plated Brass



原稿  
2015.10.15  
研發部

Tolerances ±0.3 Unless Otherwise Specified

10/08/15	柳新強	補全品號R3-12->R3-12E及增加電源性質符號AC,更新刻字;增加彎折側端子治具作業槽口,更新圖面			
02/28/13	柳新強	增加SCI LOGO			
Date	Name	Description			No.
Drawn	Checked	Approved	SCI BOM No.	1310245	Model Name FUSE HOLDER
柳新強			Customer No.		Model No. R3-12E
10/08/15	10/9-15	10/12-15	Unit	mm	Shin Chin Industrial Co., Ltd.
					Rev. 2